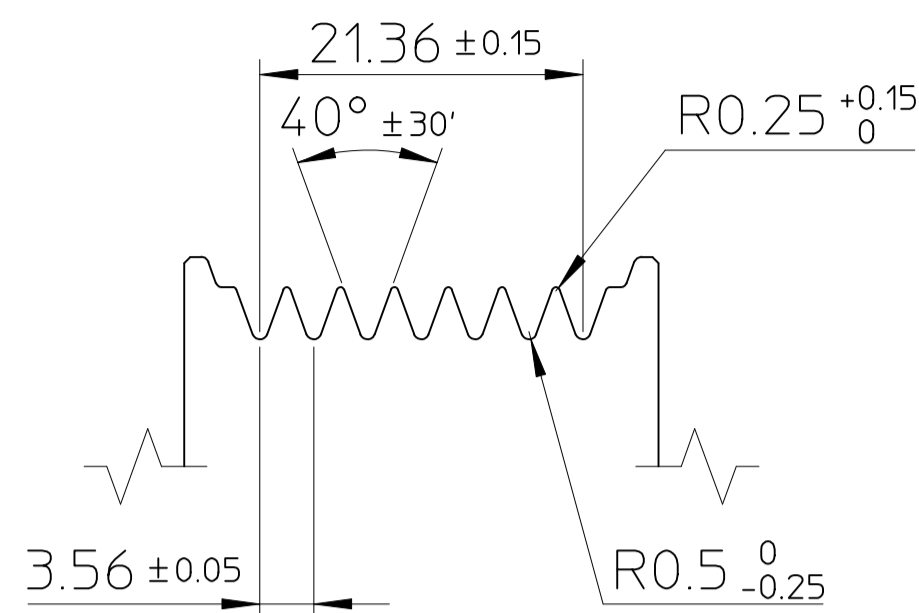
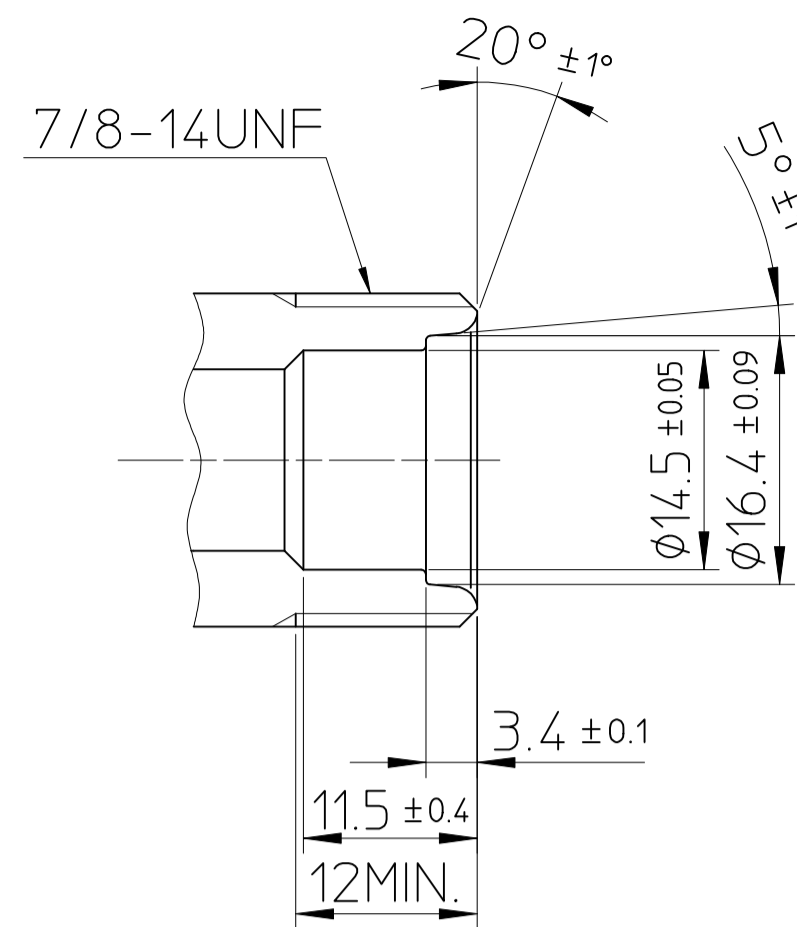


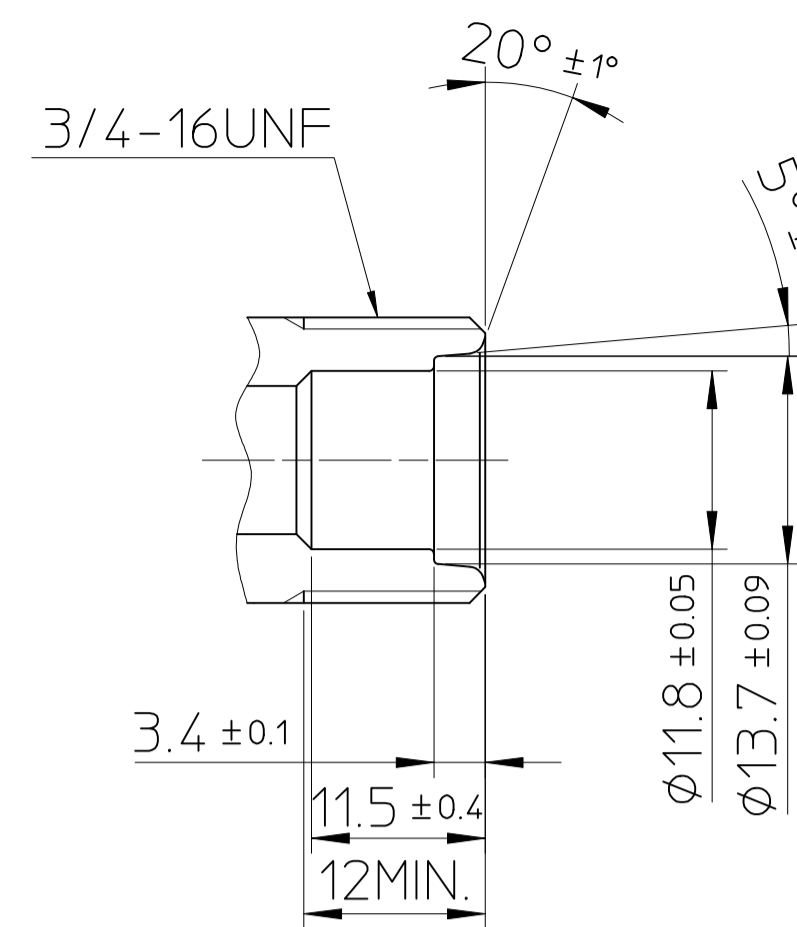
PARTIAL SECT. A-A



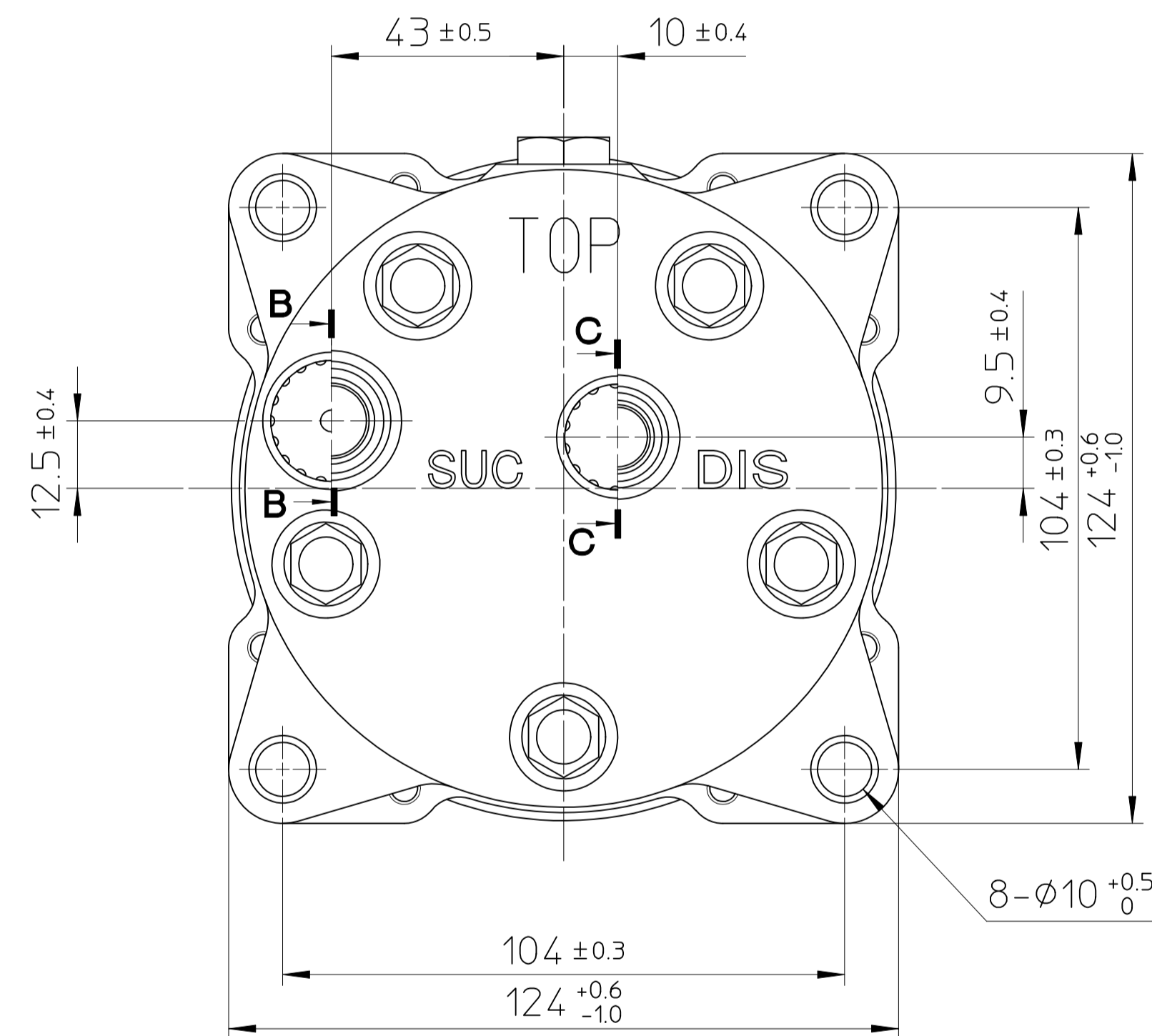
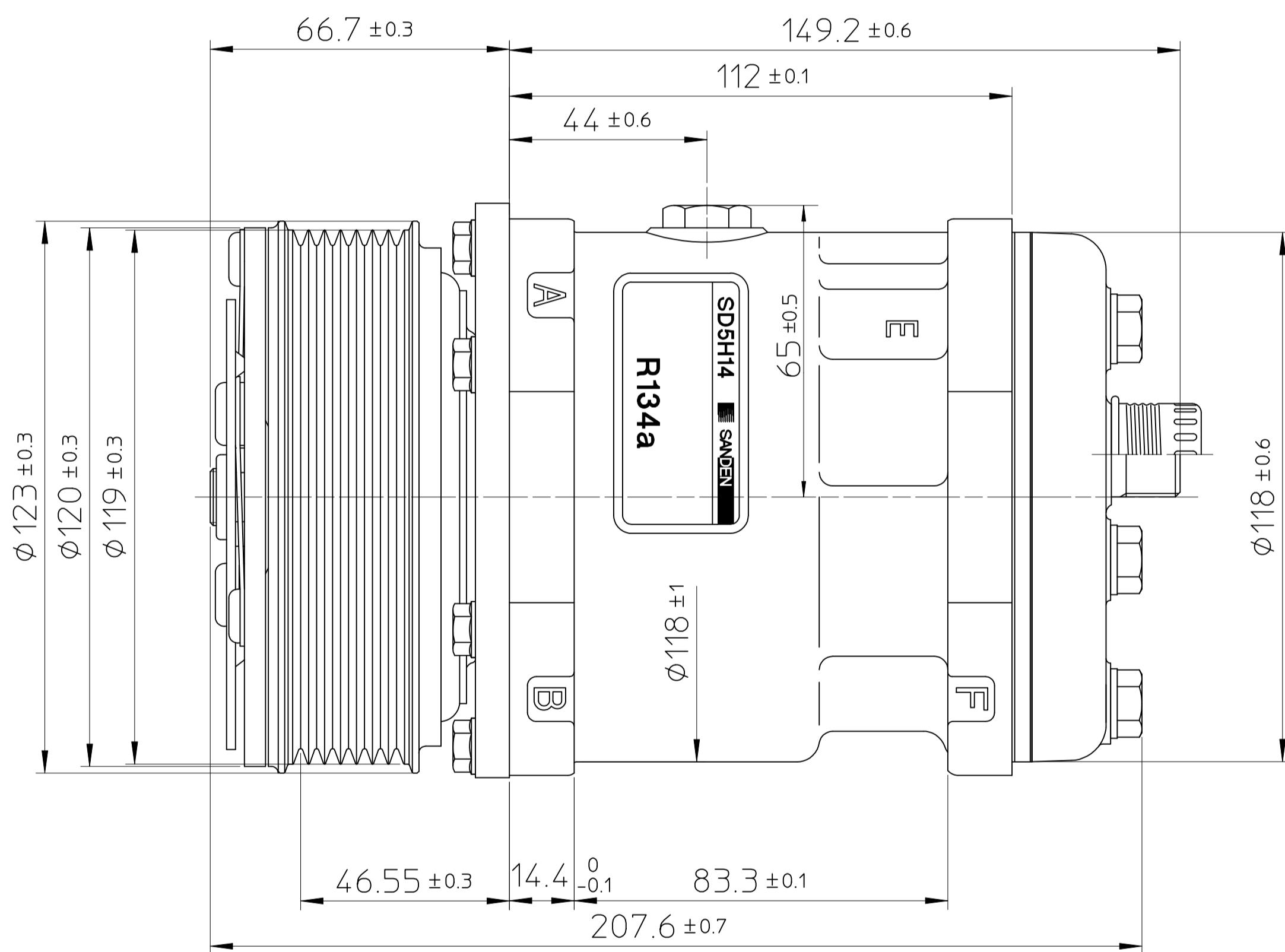
DETAIL OF ROTOR GROOVE(2:1)



PARTIAL SECT. B-B(2:1)



PARTIAL SECT. C-C(2:1)



COMPRESSOR SPECIFICATIONS

BORE	Ø35	mm ( 1.38 in.)
STROKE	28.6	mm ( 1.13 in.)
DISPLACEMENT PER REVOLUTION	138	cc/rev.( 8.4 cu.in./rev.)
NUMBER OF CYLINDERS	5	
MAXIMUM ALLOWABLE r.p.m.	7000	r.p.m.
MAXIMUM ALLOWABLE CONTINUOUS r.p.m.	6000	r.p.m.
REFRIGERANT	R-134a	
OIL (SP-20 OR EQUIV.)	175	cc ( 5.9 fl.oz.)
WEIGHT		kg ( lb)

CLUTCH SPECIFICATIONS

RATED VOLTAGE	DC 12 V
BREAKAWAY TORQUE	3.5 kg-m ( 25.3 ft-lb)
MINIMUM ENGAGEMENT VOLTAGE	7.5 V MAX.
POWER CONSUMPTION	50 W ( AL )
MAXIMUM ALLOWABLE r.p.m.	7000 r.p.m.
MAXIMUM ALLOWABLE CONTINUOUS r.p.m.	6000 r.p.m.
BELT TYPE	PV TYPE
PULLEY DIAMETER	Ø119 mm ( 4.7 in.)
WEIGHT	kg ( lb)

6628

UNCONTROLLED COPY

DESIGNED BY	Y.Uchiyama	DATE	28, JUL 1995	MATERIAL		PART NO.	6628	NAME	COMPRESSOR
CHECKED BY	M.Ida	DATE	29, JUL 1995	THIRD ANGLE PROJECTION		SCALE	1 : 1	MODEL	SD5H14K6628
APPROVED BY	A.Mabe	DATE	7, AUG 1995	CHANGE OF OIL AMOUNT (135cc-175cc) AND TERMINAL NAME.	Y.U	28, JUL '95		DRAWING NO.	6628-6000
NO.		REVISION RECORD	BY	DATE					A