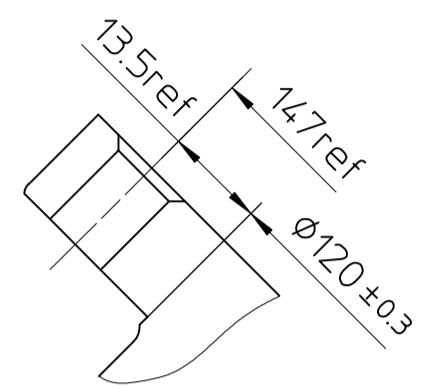
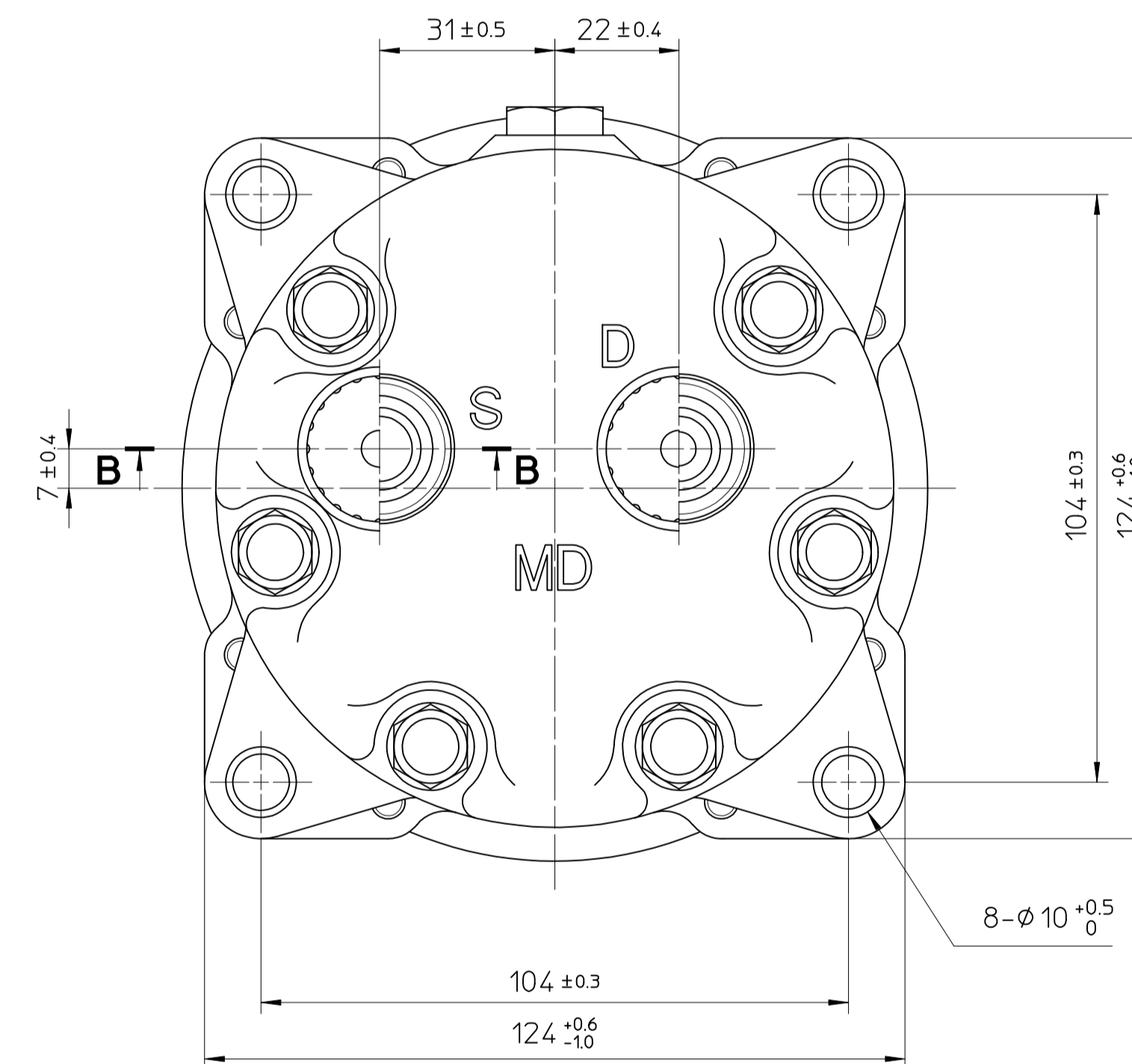
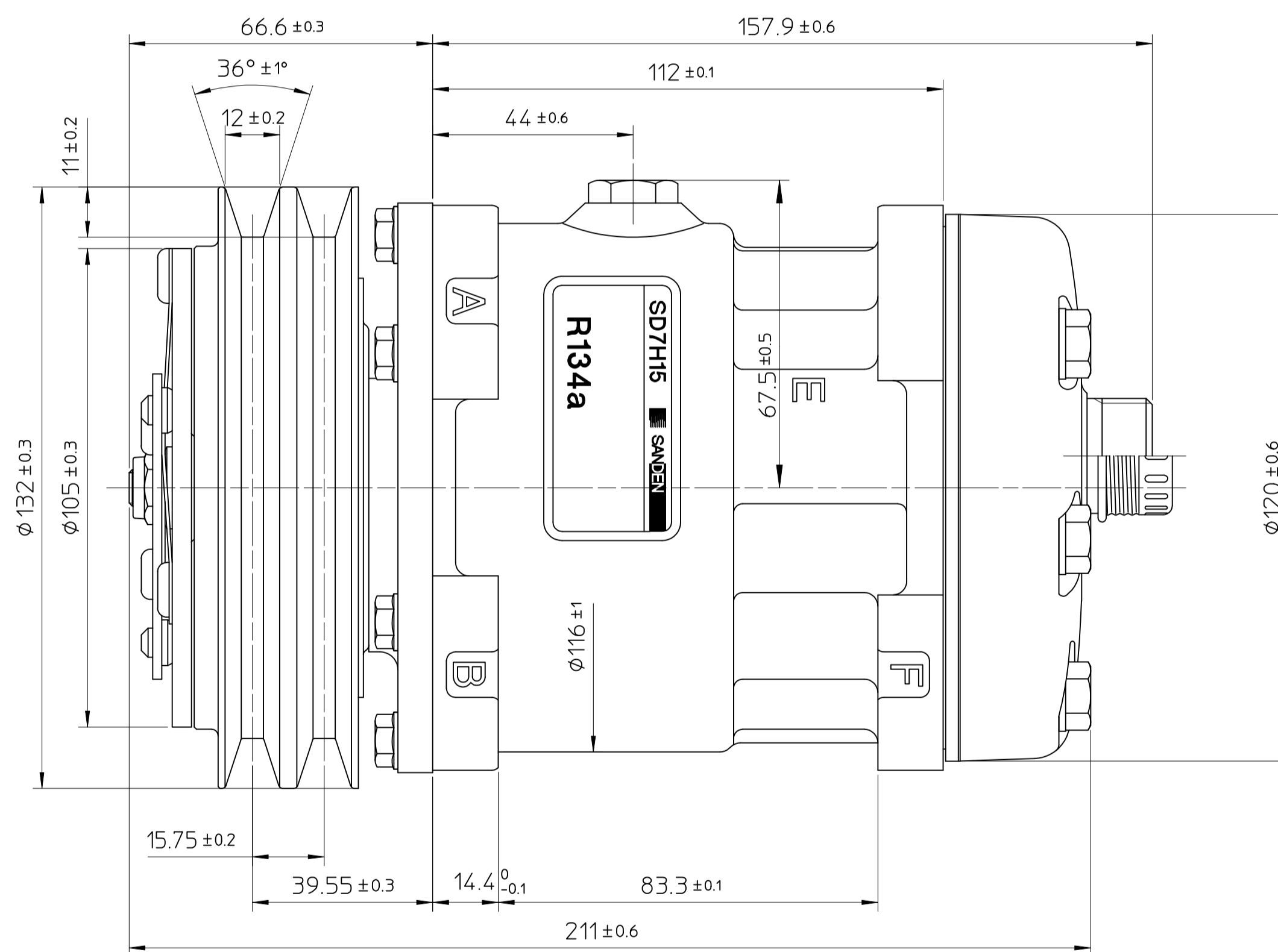
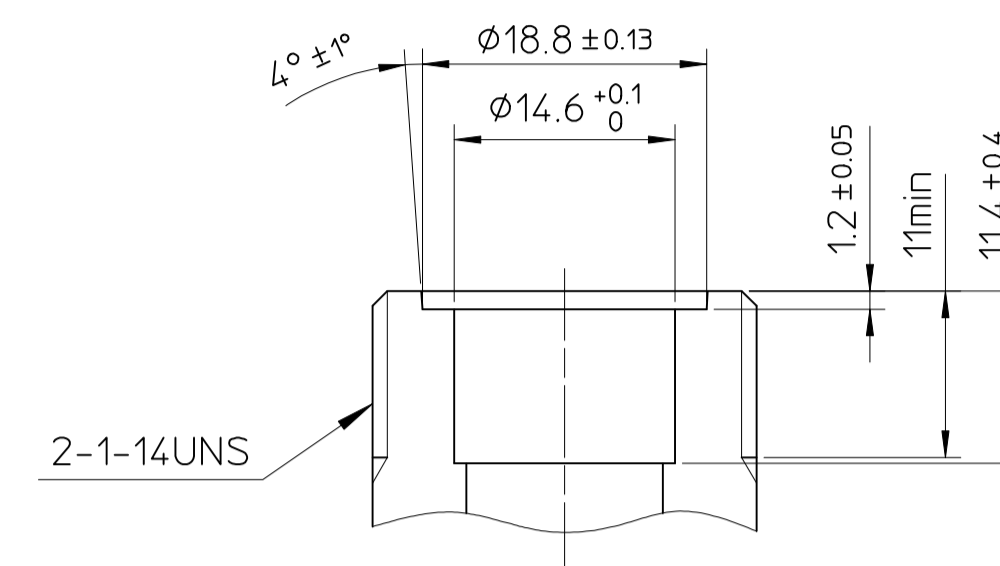


PARTIAL SECT. A-A



PARTIAL SECT. B-B (2:1)



COMPRESSOR SPECIFICATIONS

BORE	$\phi 29.3$ mm
STROKE	32.8 mm
NUMBER OF CYLINDERS	7
DISPLACEMENT PER REVOLUTION	154.9 cc/rev.
MAXIMUM ALLOWABLE CONTINUOUS SPEED	6000 r.p.m.
MAXIMUM DOWNSHIFT SPEED	7000 r.p.m.
REFRIGERANT	R134a
OIL	SP-10 OR EQUIVALENT
OIL CHARGE	207 cc
ROTATION (CLUTCH SIDE VIEW)	CLOCKWISE
WEIGHT	kg

CLUTCH SPECIFICATIONS

RATED VOLTAGE	DC 24 V
MINIMUM BREAKAWAY TORQUE	3.5 kg · m
MINIMUM ENGAGEMENT VOLTAGE	DC 16 V
MAXIMUM POWER CONSUMPTION	42 W
MAXIMUM ALLOWABLE CONTINUOUS SPEED	6000 r.p.m.
MAXIMUM DOWNSHIFT SPEED	7000 r.p.m.
BELT TYPE	A TYPE
PULLEY DIAMETER	$\phi 132$ mm
WEIGHT	kg

NO.	REVISION RECORD	BY	DATE	MATERIAL	PART NO.	NAME	COMPRESSOR
				THIRD ANGLE PROJECTION	SCALE 1:1		
				DESIGNED BY H.AKUZAWA	DATE '99. 7. 12	MODEL	SD7H15MD8098
				CHECKED BY Y.MATSUSHIMA	DATE '99. 7. 12	DRAWING NO.	8098 - 6000
				APPROVED BY H.CHIYODA	DATE '99. 7. 12		